



# 751 5 Imperial Gallon Hand Grip Pail

## COMPONENTS

- Material: Food approved high density polyethylene
- Standard Color: White (Other colors on request)
- Molded in plastic hand grip
- Pour spouts available
- Gasket: EPDM (Ethylene Propylene Diene Monomer)

WALL THICKNESS	cm	inch
• Pail	.201	.079
• Gasket Lid (656)	.196	.077
• Snap-On Lid (642)	.170	.067

STANDARD WEIGHT (+/- 2%)	g	lb.
• Pail (including hand grip)	948	2.09
• Gasket Lid (656) (including gasket)	282	0.62
• Snap On Lid (642)	184	0.40

THERMAL RESISTANCE (Tested with water)	
• Filling	from -38°C (-36°F) to 82°C (180°F)
• Warehousing	from -40°C (-40°F) to 39°C (102°F)

TOP LOADING RESISTANCE	kg	lb.
• With Gasket Lid	229	504
• With Snap-On Lid	140	308

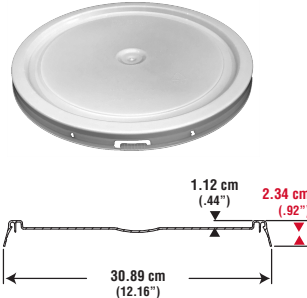
## CAPACITIES

VOLUME	Litres	GALLONS	
		Imp.	U.S.
Nominal	22.75	5.00	6.01
Maximum to Overflow	25.85	5.69	6.83
Maximum with Gasket Lid	24.80	5.45	6.55
Maximum with Snap-On Lid	24.95	5.49	6.59

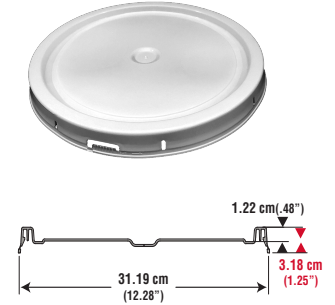
PRODUCT DENSITY g/cm <sup>3</sup>	Maximum Weight Filled with Lid			
	GASKET LID		SNAP-ON LID	
	kg	lb	kg	lb
0.5	13.01	28.63	13.04	28.69
0.6	15.62	34.35	15.65	34.42
0.7	18.22	40.08	18.25	40.16
0.8	20.82	45.81	20.86	45.90
0.9	23.42	51.53	23.47	51.63
1.0	26.03	57.26	26.08	57.37
1.1	28.63	62.98	28.69	63.11
1.2	31.23	68.71	31.29	68.84
1.3	33.83	74.43	33.90	74.58
1.4	36.44	80.16	36.51	80.32
1.5	39.04	85.89	39.12	86.06

Above is a guideline only.  
Customer should verify with specific product to be packaged.

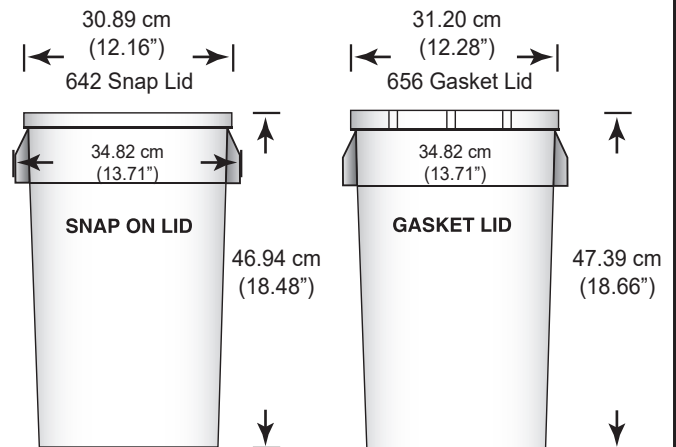
### 642 SNAP ON LID



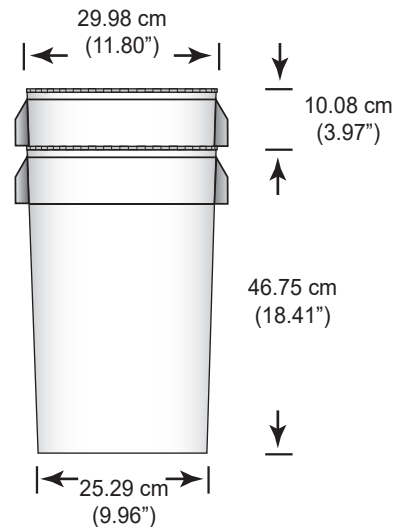
### 656 GASKET LID



## 5 IMP. GALLON HAND GRIP CONTAINER



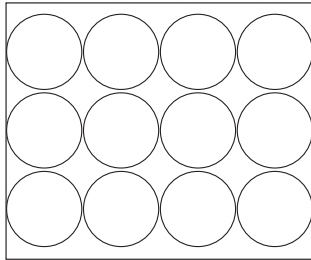
## NESTING





# 751 5 Imperial Gallon Hand Grip Pail

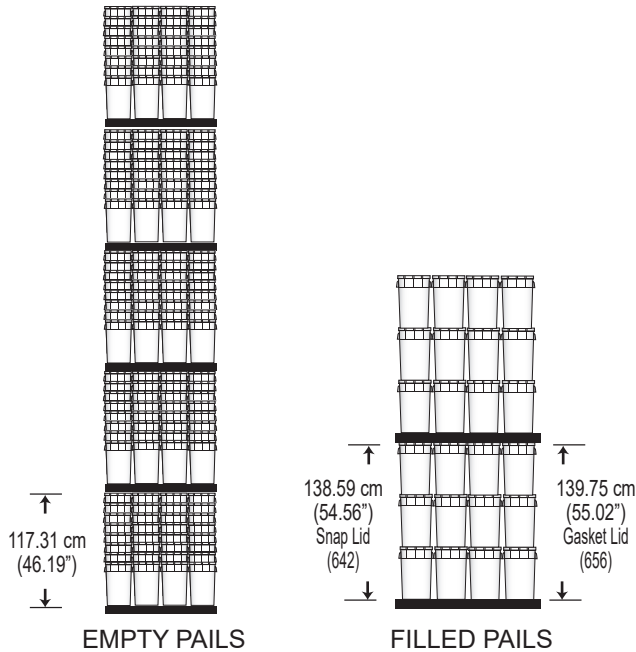
## PALLET UTILIZATION



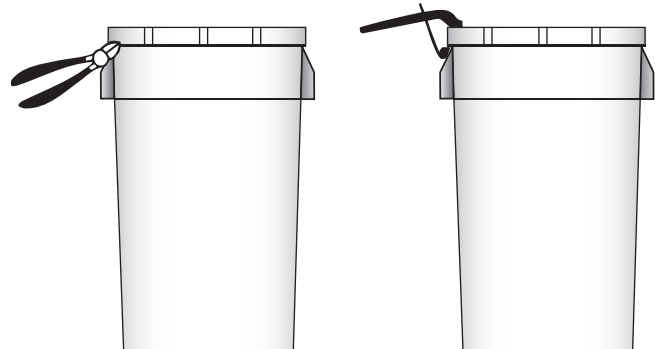
**122 cm x 102 cm  
(48" x 40")**

**IMPORTANT: Never let pails overlap edge of pallet**

## RECOMMENDED STACKING HEIGHT



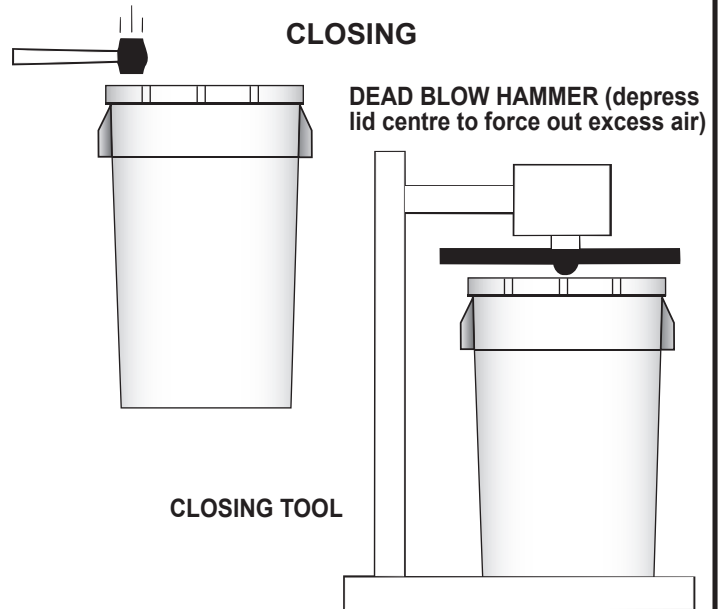
## OPENING



Cutters

Lid lifter

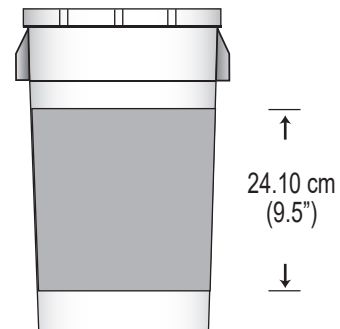
## CLOSING



CLOSING TOOL

## PRINTING

**DRY OFFSET PRINTING (UP TO MAXIMUM 4 PANTONE COLORS)**



## SHIPPING DATA

Quantity	750 PAIL	SNAP LID <sup>642</sup>		GASKET LID <sup>656</sup>	
	96/pallet	60/box	600/plt	40/box	240/plt
Dimensions*	49.75" x 37.75" x 46.50"	25.25" x 12.75" x 19.00"	49.75" x 37.75" x 36.00"	25.25" x 12.75" x 19.00"	49.75" x 37.75" x 18.00"
Volume	50.54 cu. ft.	3.54 cu. ft.	39.13 cu. ft.	3.54 cu. ft.	19.56 cu. ft.
Weight**	92.51 kg 203.52 lbs	11.82 kg 26.00 lbs	111.60 kg 245.52 lbs	12.09 kg 26.60 lbs	69.18 kg 152.20 lbs

\* AND \*\* DOES NOT INCLUDE WOODEN PALLET  
\*\*\* BASED ON GASKET LID WITHOUT FITTINGS

## APPROVALS

Pro-Western Plastics Ltd. disclaims any liability for the use of the information and data contained herein. We reserve the right to alter or modify any product and/or specification, at any time.