



731 16 Litre Pail

COMPONENTS

- Material: Food approved high density polyethylene
- Standard Color: White (Other colors on request)
- Plastic Fingergrip Handle
- Pour spouts available
- Gasket: EPDM (Ethylene Propylene Diene Monomer)

WALL THICKNESS

	cm	inch
• Pail	.203	.080
• Gasket Lid (656)	.196	.077
• Snap-On Lid (642)	.170	.067

STANDARD WEIGHT (+/- 2%)

	g	lb.
• Pail (with handle)	832	1.83
• Gasket Lid (656)	282	0.62
• Snap-On Lid (642)	184	0.40

THERMAL RESISTANCE (Tested with water)

- Filling from -38°C (-36°F) to 82°C (180°F)
- Warehousing from -40°C (-40°F) to 39°C (102°F)

TOP LOADING RESISTANCE

	kg	lb.
• With Gasket Lid	250	550
• With Snap-On Lid	140	308

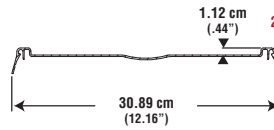
CAPACITIES

VOLUME	Litres	GALLONS	
		Imp.	U.S.
Nominal	16.00	3.52	4.23
Maximum to Overflow	19.84	4.36	5.24
Maximum with Gasket Lid	18.79	4.13	4.96
Maximum with Snap-On Lid	18.94	4.17	5.00

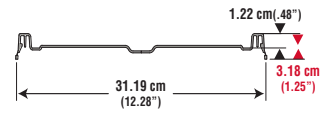
PRODUCT DENSITY g/cm ³	Maximum Weight Filled with Lid			
	GASKET LID		SNAP-ON LID	
	kg	lb	kg	lb
0.5	9.95	21.89	9.98	21.95
0.6	11.94	26.27	11.97	26.34
0.7	13.93	30.65	13.97	30.73
0.8	15.92	35.02	15.96	35.11
0.9	17.91	39.40	17.96	39.50
1.0	19.90	43.78	19.95	43.89
1.1	21.89	48.16	21.95	48.28
1.2	23.88	52.54	23.94	52.67
1.3	25.87	56.91	25.94	57.06
1.4	27.86	61.29	27.93	61.45
1.5	29.85	65.67	29.93	65.84

Above is a guideline only.
Customer should verify with specific product to be packaged.

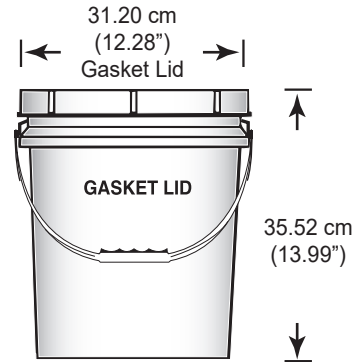
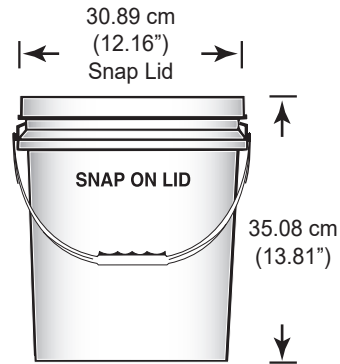
642 SNAP ON LID



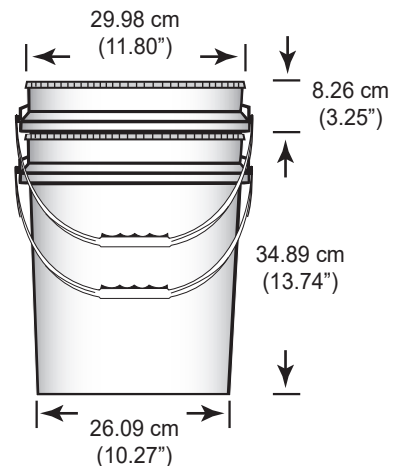
656 GASKET LID



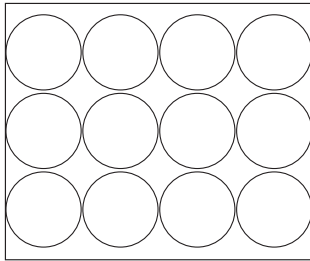
16 LITRE HEAVY WALL CONTAINER



NESTING



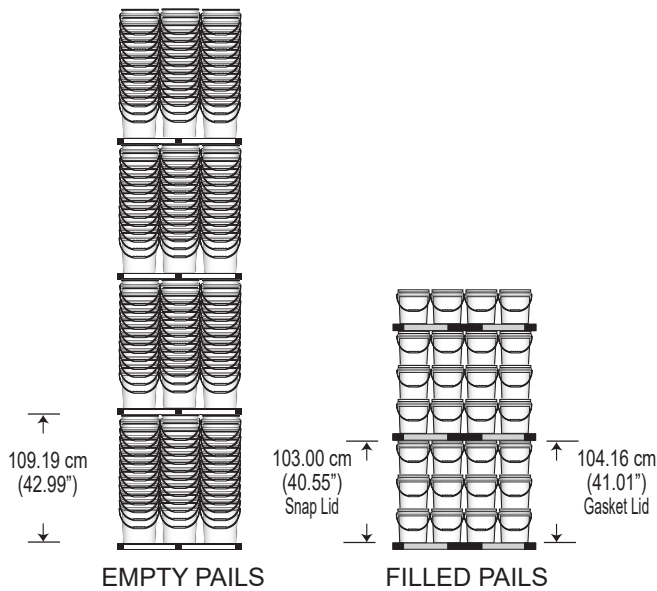
PALLET UTILIZATION



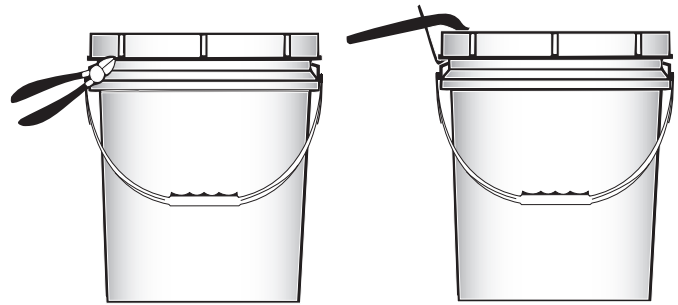
**122 cm x 102 cm
(48" x 40")**

IMPORTANT: Never let pails overlap edge of pallet

RECOMMENDED STACKING HEIGHT



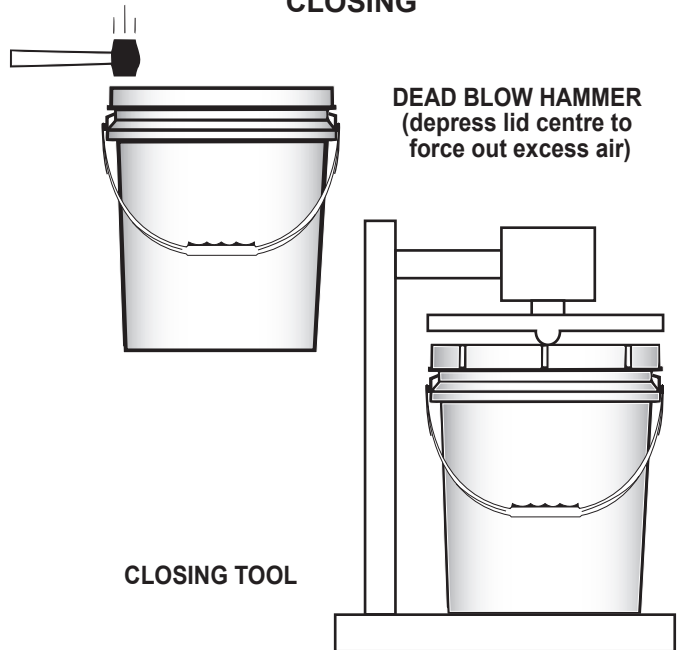
OPENING



Cutters

Lid lifter

CLOSING

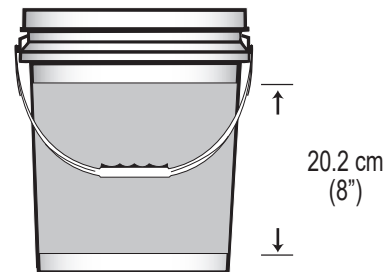


**DEAD BLOW HAMMER
(depress lid centre to
force out excess air)**

CLOSING TOOL

PRINTING

DRY OFFSET PRINTING (UP TO MAXIMUM 4 PANTONE COLORS)



SHIPPING DATA

Quantity	731 PAIL	SNAP LID ⁶⁴²		GASKET LID ⁶⁵⁶	
	120/pallet	60/box	600/plt	40/box	240/plt
Dimensions*	49.75" x 37.75" x 43.25"	25.25" x 12.75" x 19.00"	49.75" x 37.75" x 36.00"	25.25" x 12.75" x 19.00"	49.75" x 37.75" x 18.00"
Volume	47.01 cu. ft.	3.54 cu. ft.	39.13 cu. ft.	3.54 cu. ft.	19.56 cu. ft.
Weight**	101.34 kg 222.95 lbs	11.82 kg 26.00 lbs	111.60 kg 245.52 lbs	12.09 kg 26.60 lbs	69.18 kg 152.20 lbs

* AND ** DOES NOT INCLUDE WOODEN PALLET
*** BASED ON GASKET LID WITHOUT FITTINGS

APPROVALS

Pro-Western Plastics Ltd. disclaims any liability for the use of the information and data contained herein. We reserve the right to alter or modify any product and/or specification, at any time.