



# 728 15 Litre Pail

## COMPONENTS

- Material: Food approved HDPE (high density polyethylene)
- Standard Color: White (Other colors on request)
- Plastic Fingergrip Handle
- Pour spouts available
- Gasket: EPDM (Ethylene Propylene Diene Monomer))

## WALL THICKNESS

	cm	inch
• Pail	.191	.075
• Gasket Lid (656)	.196	.077
• Snap On Lid (642)	.170	.067

## STANDARD WEIGHT (+/- 2%)

	g	lb.
• Pail (with handle)	689	1.52
• Gasket Lid (656)	282	0.62
• Snap-On Lid (642)	184	0.40

## THERMAL RESISTANCE (Tested with water)

- Filling from 38°C (-36°F) to 82°C (180°F)
- Warehousing from -40°C (-40°F) to 39°C (102°F)

## TOP LOADING RESISTANCE

	kg	lb.
• With Gasket Lid	250	550
• With Snap-On Lid	140	308

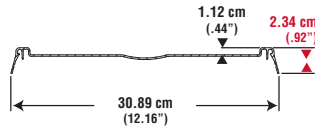
## CAPACITIES

VOLUME	Litres	GALLONS	
		Imp.	U.S.
Nominal	15.00	3.30	3.96
Maximum to Overflow	16.18	3.56	4.28
Maximum with Gasket Lid	15.13	3.33	4.00
Maximum with Snap-On Lid	14.98	3.30	3.96

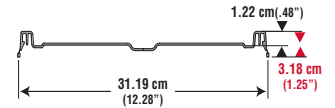
PRODUCT DENSITY g/cm <sup>3</sup>	Maximum Weight Filled with Lid			
	GASKET LID		SNAP-ON LID	
	kg	lb	kg	lb
0.5	8.05	17.71	7.93	17.44
0.6	9.66	21.26	9.51	20.93
0.7	11.27	24.80	11.10	24.42
0.8	12.88	28.34	12.68	27.91
0.9	14.49	31.89	14.27	31.39
1.0	16.10	35.43	15.86	34.88
1.1	17.71	38.97	17.44	38.37
1.2	19.32	42.51	19.03	41.86
1.3	20.94	46.06	20.61	45.35
1.4	22.55	49.60	22.20	48.83
1.5	24.16	53.14	23.78	52.32

Above is a guideline only.  
Customer should verify with specific product to be packaged.

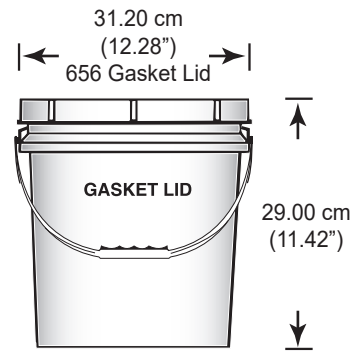
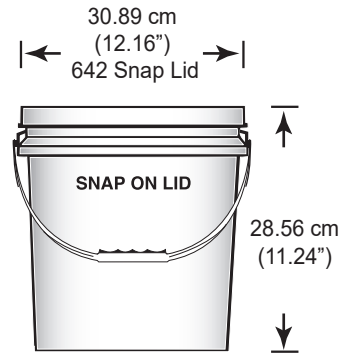
### 642 SNAP ON LID



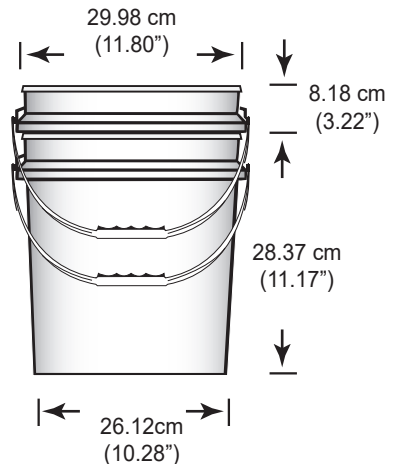
### 656 GASKET LID



## 15 LITRE HEAVY WALL CONTAINER

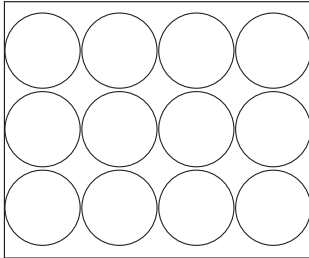


### NESTING



**728  
15 Litre Pail**

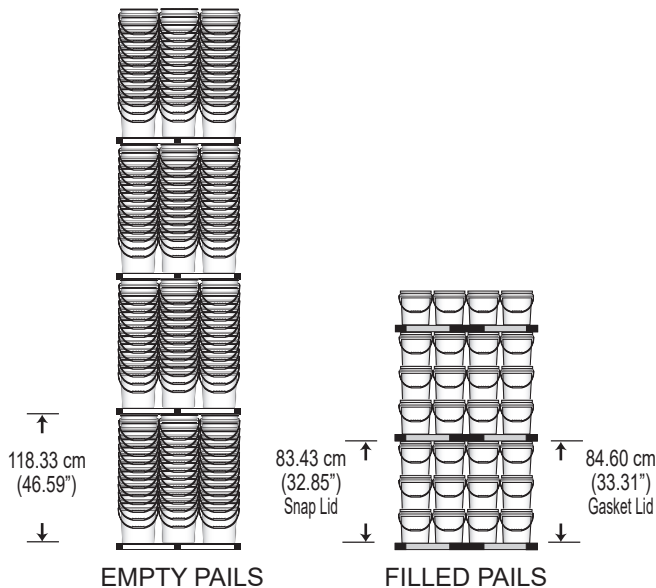
**PALLET UTILIZATION**



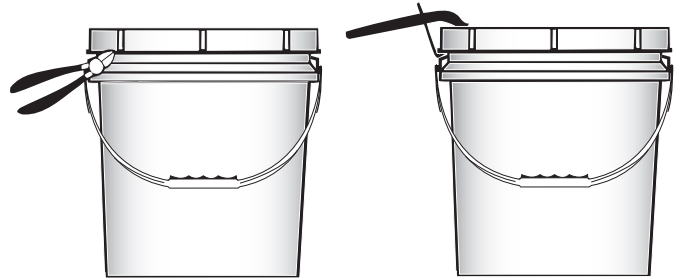
**122 cm x 102 cm  
(48" x 40")**

**IMPORTANT: Never let pails overlap edge of pallet**

**RECOMMENDED STACKING HEIGHT**



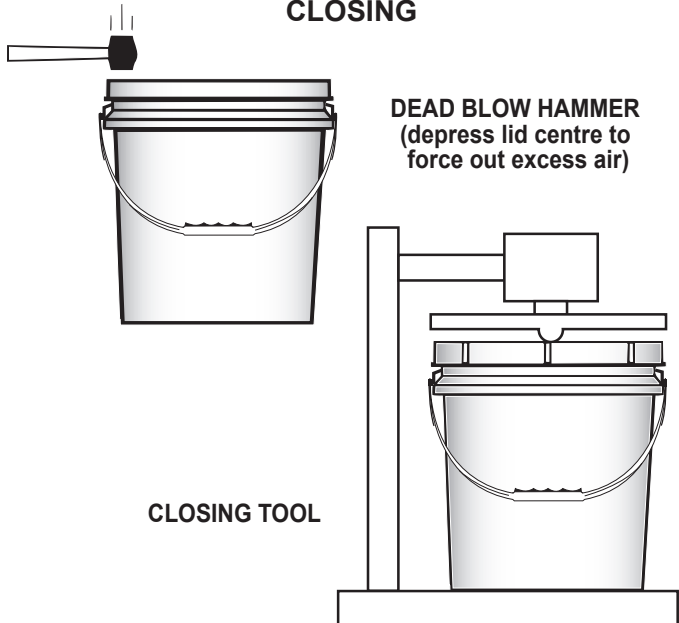
**OPENING**



**Cutters**

**Lid lifter**

**CLOSING**

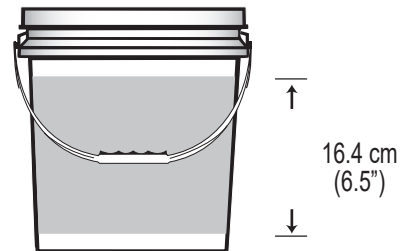


**CLOSING TOOL**

**DEAD BLOW HAMMER  
(depress lid centre to  
force out excess air)**

**PRINTING**

**DRY OFFSET PRINTING (UP TO MAXIMUM 4 PANTONE COLORS)**



**SHIPPING DATA**

Quantity	728 PAIL	SNAP LID <sup>642</sup>		GASKET LID <sup>656</sup>	
	144/pallet	60/box	600/plt	40/box	240/plt
Dimensions*	49.75" x 37.75" x 47.00"	25.25" x 12.75" x 19.00"	49.75" x 37.75" x 36.00"	25.25" x 12.75" x 19.00"	49.75" x 37.75" x 18.00"
Volume	51.08 cu. ft.	3.54 cu. ft.	39.13 cu. ft.	3.54 cu. ft.	19.56 cu. ft.
Weight**	100.72 kg 221.58 lbs	11.82 kg 26.00 lbs	111.60 kg 245.52 lbs	12.09 kg 26.60 lbs	69.18 kg 152.20 lbs

\* AND \*\* DOES NOT INCLUDE WOODEN PALLET  
\*\*\* BASED ON GASKET LID WITHOUT FITTINGS

**APPROVALS**

Pro-Western Plastics Ltd. disclaims any liability for the use of the information and data contained herein. We reserve the right to alter or modify any product and/or specification, at any time.