



**717  
2 U.S. Gallon  
Tamper Evident Pail**

**COMPONENTS**

- Material: Food approved high density polyethylene
- Standard Color: White (Other colors on request)
- Plastic Handle

**WALL THICKNESS**

	cm	inch
• Pail	.145	.057
• Snap-On Lid (617)	.157	.062

**STANDARD WEIGHT (+/- 2%)**

	g	lb.
• Pail (including handle)	332	0.73
• Snap-On Lid (617)	85	0.19

**THERMAL RESISTANCE** (Tested with water)

- Filling from 38°C (-36°F) to 82°C (180°F)
- Warehousing from -40°C (-40°F) to 39°C (102°F)

**TOP LOADING RESISTANCE**

	kg	lb.
• With Snap-On Lid (617)	112	246

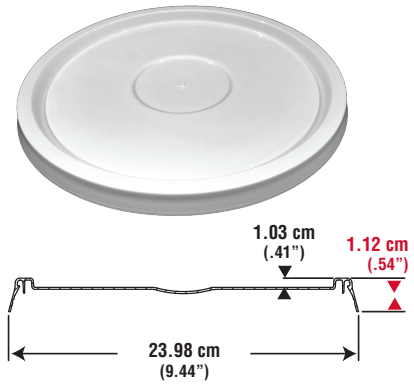
**CAPACITIES**

VOLUME	Litres	GALLONS	
		Imp.	U.S.
Nominal	7.57	1.67	2.00
Maximum to Overflow	8.68	1.91	2.29
Maximum with Snap-On Lid	8.33	1.83	2.20

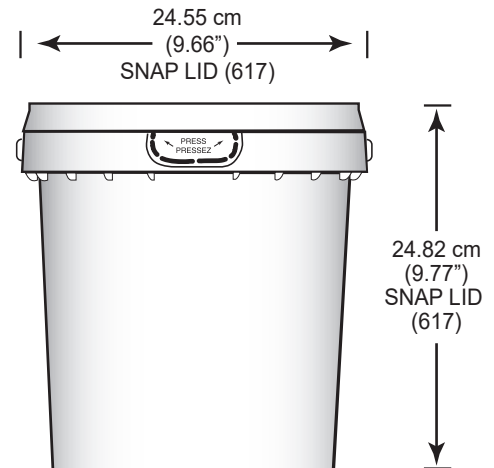
PRODUCT DENSITY g/cm <sup>3</sup>	Maximum Weight Filled with Lid	
	SNAP-ON LID (617)	
	kg	lb
0.5	4.38	9.63
0.6	5.25	11.55
0.7	6.13	13.48
0.8	7.00	15.40
0.9	7.88	17.33
1.0	8.75	19.25
1.1	9.63	21.18
1.2	10.50	23.10
1.3	11.38	25.03
1.4	12.25	26.95
1.5	13.13	28.88

Above is a guideline only.  
Customer should verify with specific product to be packaged.

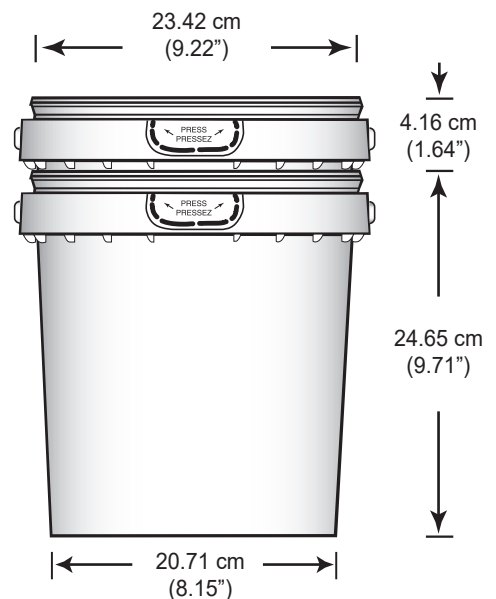
**617 SNAP ON LID**



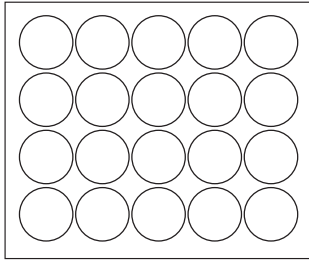
**TAMPER EVIDENT 2 U.S. GALLON PAIL**



**NESTING**



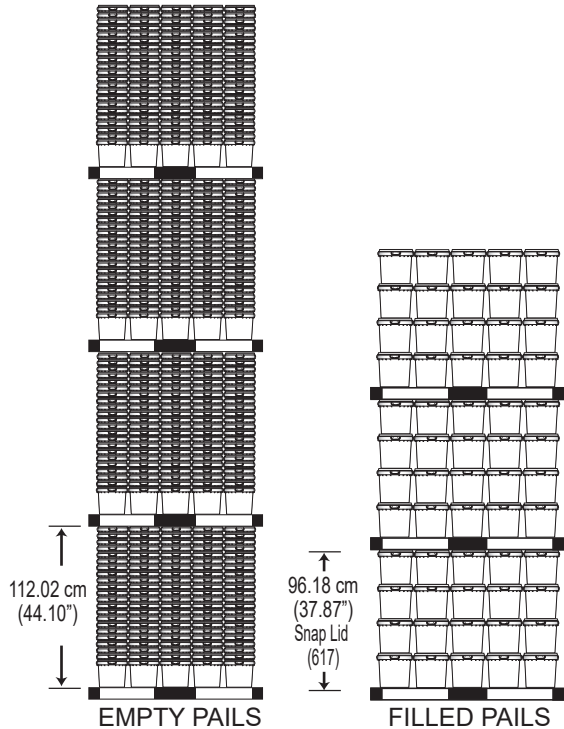
**PALLET UTILIZATION**



**122 cm x 102 cm  
(48" x 40")**

**IMPORTANT: Never let pails overlap edge of pallet**

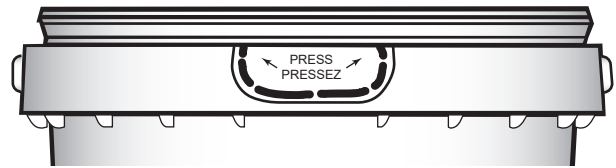
**RECOMMENDED STACKING HEIGHT**



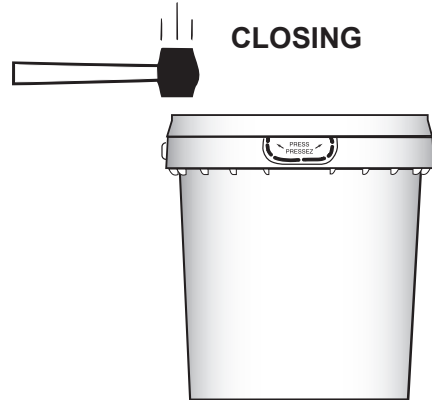
**SHIPPING DATA**

	<b>717 PAIL</b>	<b>617 SNAP ON LID</b>
<b>Quantity</b>	440/pallet	148/box
<b>Dimensions*</b>	49.50" x 41.50" x 44.50"	20.25" x 10.25" x 24.75"
<b>Volume</b>	52.90 cu. ft.	2.97 cu. ft.
<b>Weight**</b>	147.79 kg 325.14 lbs	13.28 kg 29.22 lbs

**OPENING**

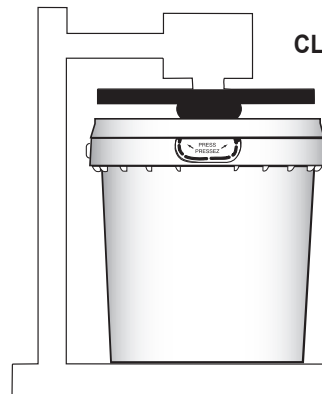


**CLOSING**



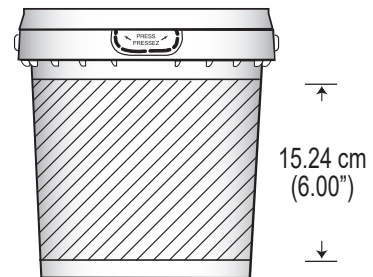
**DEAD BLOW HAMMER (depress lid centre to force out excess air)**

**CLOSING TOOL**



**PRINTING**

**DRY OFFSET PRINTING (UP TO MAXIMUM 4 PANTONE COLORS)**



**APPROVALS**

Pro-Western Plastics Ltd. disclaims any liability for the use of the information and data contained herein. We reserve the right to alter or modify any product and/or specification, at any time.