



715 5.5 Litre Pail

COMPONENTS

- Material: Food approved high density polyethylene
- Standard Color: White (Other colors on request)
- Plastic Handle
- Gasket: EPDM (Ethylene Propylene Diene Monomer)

WALL THICKNESS

	cm	inch
• Pail	.145	.057
• Gasket Tear Tab Lid (621)	.135	.053
• Snap On Tear Tab Lid (622)	.142	.056

STANDARD WEIGHT (+/- 2%)

	g	lb.
• Pail (including handle)	267	0.59
• Gasket Lid (including gasket) (621)	87	0.19
• Snap On Tear Tab Lid (622)	71	0.16

THERMAL RESISTANCE (Tested with water)

- Filling from -38°C (-36°F) to 82°C (180°F)
- Warehousing from -40°C (-40°F) to 39°C (102°F)

TOP LOADING RESISTANCE

	kg	lb.
• With Gasket Lid (621)	100	220
• With Snap-On Lid (622)	100	220

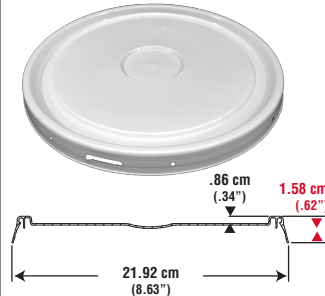
CAPACITIES

VOLUME	Litres	GALLONS	
		Imp.	U.S.
Nominal	5.50	1.21	1.45
Maximum to Overflow	6.17	1.36	1.63
Maximum with Gasket Lid	5.77	1.27	1.52
Maximum with Snap-On Lid	5.87	1.29	1.55

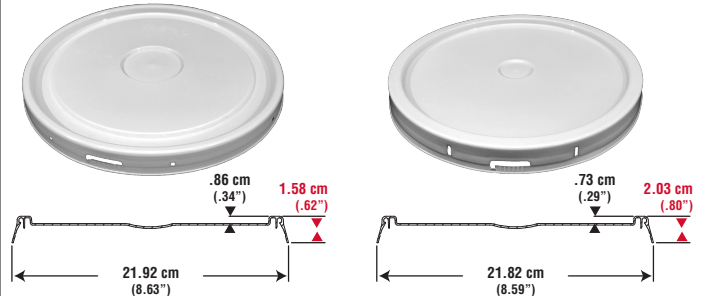
PRODUCT DENSITY g/cm ³	Maximum Weight Filled with Lid			
	GASKET LID		SNAP-ON LID	
	kg	lb	kg	lb
0.5	3.06	6.73	3.10	6.82
0.6	3.67	8.08	3.72	8.19
0.7	4.28	9.42	4.34	9.55
0.8	4.90	10.77	4.96	10.92
0.9	5.51	12.12	5.58	12.28
1.0	6.12	13.46	6.20	13.65
1.1	6.73	14.81	6.82	15.01
1.2	7.34	16.15	7.44	16.38
1.3	7.95	17.50	8.06	17.74
1.4	8.57	18.85	8.68	19.11
1.5	9.18	20.19	9.30	20.47

Above is a guideline only.
Customer should verify with specific product to be packaged.

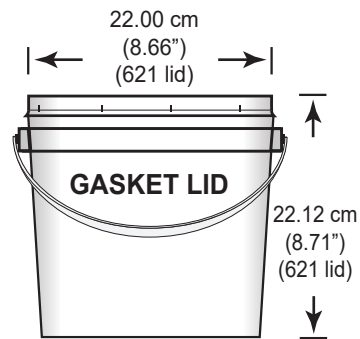
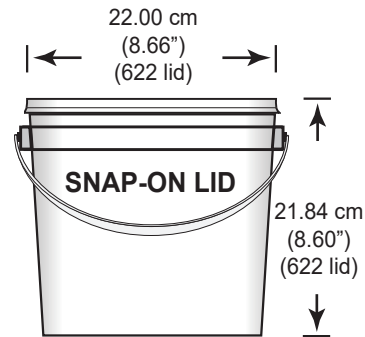
622 SNAP ON LID



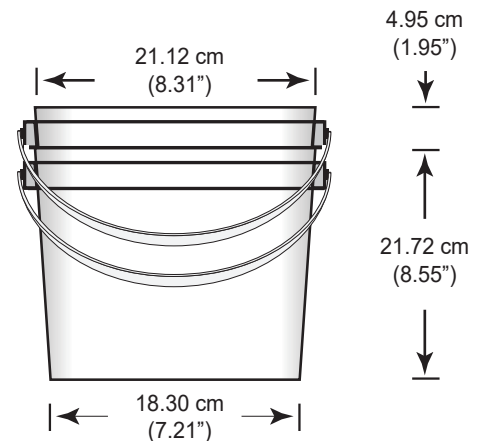
621 GASKET LID



5.5 LITRE PAIL

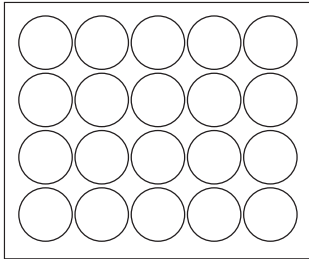


NESTING



**715
5.5 Litre Pail**

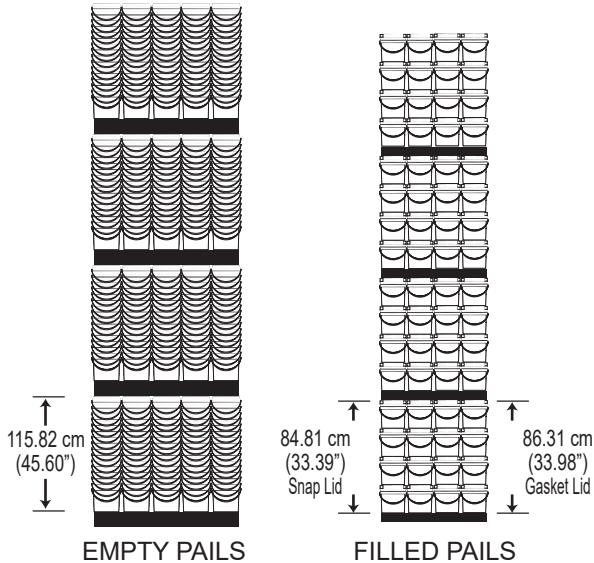
PALLET UTILIZATION



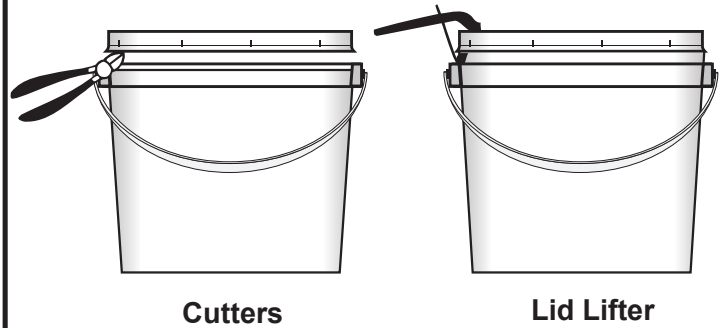
**122 cm x 102 cm
(48" x 40")**

IMPORTANT: Never let pails overlap edge of pallet

RECOMMENDED STACKING HEIGHT



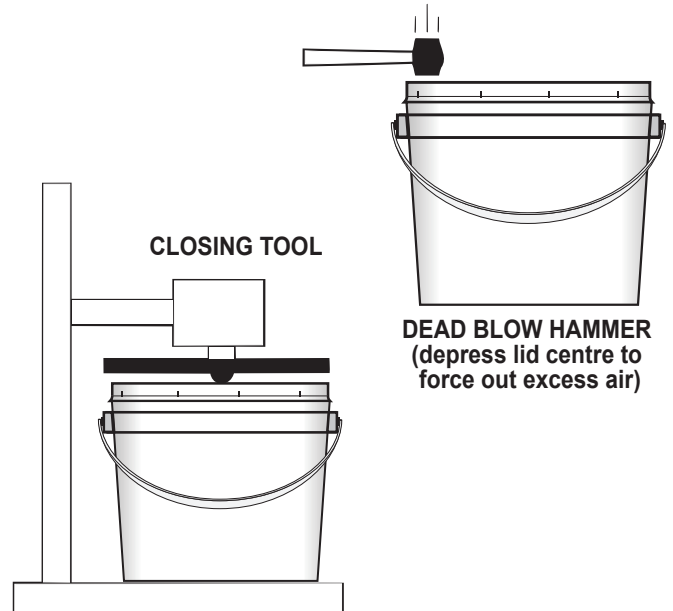
OPENING



Cutters

Lid Lifter

CLOSING

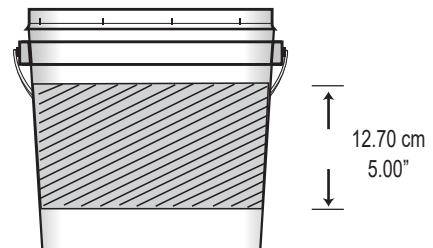


CLOSING TOOL

**DEAD BLOW HAMMER
(depress lid centre to
force out excess air)**

PRINTING

DRY OFFSET PRINTING (UP TO MAXIMUM 4 PANTONE COLORS)



SHIPPING DATA

	715 PAIL	SNAP TT (622)	SNAP TT (622)	GASKET TT (621)	PAIL & LID (715 PKG)
Quantity	580/pallet	180/box	1440/pallet	180/box	35/box (622 Snap)
Dimensions*	52.50" x 42.50" x 46.00"	24.00" x 20.00" x 11.75"	49.75" x 38.00" x 19.25"	24.00" x 20.00" x 19.00"	24.00" x 20.00" x 25.25"
Volume	59.40 cu. ft.	3.26 cu. ft.	21.06 cu. ft.	5.28 cu. ft.	7.01 cu. ft.
Weight**	156.44 kg 344.17 lbs	13.73 kg 30.20 lbs	103.74 kg 228.23 lbs	16.71 kg 36.76 lbs	13.23 kg 29.11 lbs

* AND ** DOES NOT INCLUDE WOODEN PALLET

APPROVALS

Pro-Western Plastics Ltd. disclaims any liability for the use of the information and data contained herein. We reserve the right to alter or modify any product and/or specification, at any time.