



COMPONENTS

- Material: Food approved high density polyethylene
- Standard Color: White (Other colors on request)

WALL THICKNESS	cm	inch
• Pail	.102	.040
• Drop Lid (616)	.114	.045

STANDARD WEIGHT (+/- 2%)	g	lb.
• Pail	154	0.34
• Drop Lid (616)	73	0.16

THERMAL RESISTANCE (Tested with water)

- Filling from 38°C (-36°F) to 82°C (180°F)
- Warehousing from -40°C (-40°F) to 39°C (102°F)

CAPACITIES

VOLUME	Litres	GALLONS	
		Imp.	U.S.
Nominal	5.70	1.25	1.51
Maximum to Overflow	6.02	1.32	1.59
Maximum with Drop Lid	5.72	1.26	1.51

PRODUCT DENSITY g/cm ³	Maximum Weight Filled with Lid	
	DROP LID	
	kg	lb
0.5	2.97	6.54
0.6	3.57	7.85
0.7	4.16	9.16
0.8	4.76	10.47
0.9	5.35	11.77
1.0	5.95	13.08
1.1	6.54	14.39
1.2	7.14	15.70
1.3	7.73	17.01
1.4	8.33	18.32
1.5	8.92	19.62

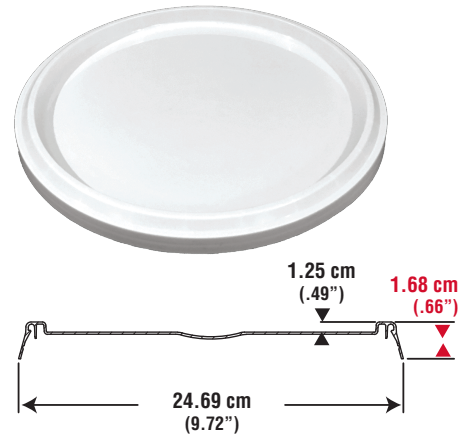
Above is a guideline only.
Customer should verify with specific product to be packaged.

SHIPPING DATA

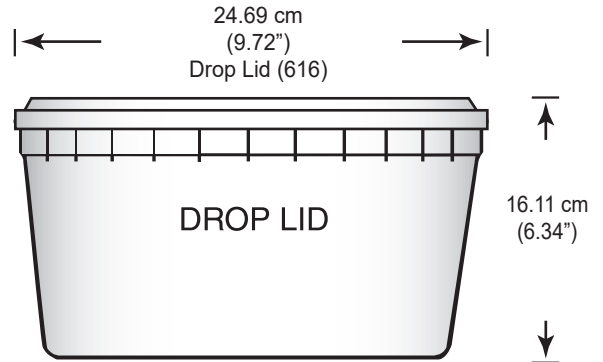
	714 PAIL	616 DROP LID
Quantity	600/pallet	184/box
Dimensions*	50.50" x 40.00" x 44.25"	23.50" x 20.25" x 20.25"
Volume	51.73 cu. ft.	5.58 cu. ft.
Weight**	100.70 kg 221.54 lbs	14.59 kg 32.10 lbs

* Dimensions do not include wooden pallet (with pallet +4.5 inches)
** Weight does not include wooden pallet (with pallet +11.0 kg)

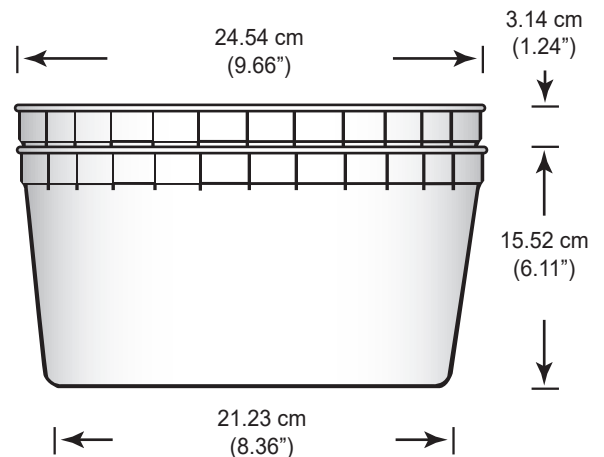
616 DROP LID



5.7 LITRE DAIRY CONTAINER



NESTING



APPROVALS

Pro-Western Plastics Ltd. disclaims any liability for the use of the information and data contained herein. We reserve the right to alter or modify any product and/or specification, at any time.