



**713
1 U.S. Gallon
Tamper Evident Pail**

COMPONENTS

- Material: Food approved high density polyethylene
- Standard Color: White (Other colors on request)
- Plastic Handle

WALL THICKNESS

	cm	inch
• Pail	.127	.050
• Snap-On Lid (613)	.119	.047

STANDARD WEIGHT (+/- 2%)

	g	lb.
• Pail (including handle)	193	.42
• Snap-On Lid (613)	56	.12

THERMAL RESISTANCE (Tested with water)

- Filling from 38°C (-36°F) to 82°C (180°F)
- Warehousing from -40°C (-40°F) to 39°C (102°F)

TOP LOADING RESISTANCE

	kg	lb.
• With Snap-On Lid (613)	100	220

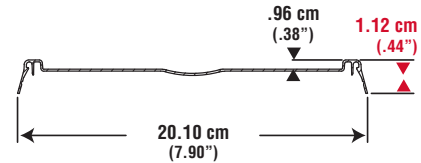
CAPACITIES

VOLUME	Litres	GALLONS	
		Imp.	U.S.
Nominal	3.79	0.83	1.00
Maximum to Overflow	4.49	0.99	1.19
Maximum with Snap-On Lid	4.14	0.91	1.09

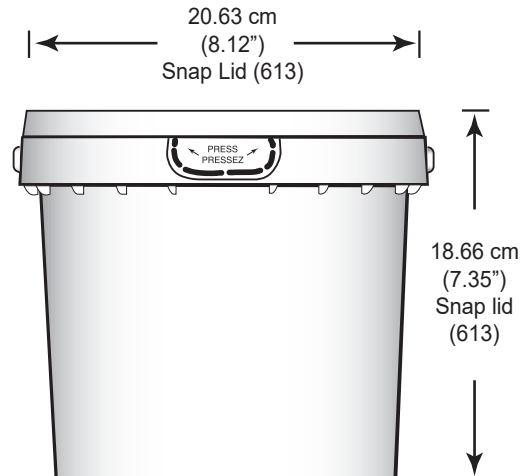
PRODUCT DENSITY g/cm ³	Maximum Weight Filled with Lid	
	SNAP-ON LID (613)	
	kg	lb
0.5	2.19	4.83
0.6	2.63	5.79
0.7	3.07	6.76
0.8	3.51	7.72
0.9	3.95	8.69
1.0	4.39	9.65
1.1	4.83	10.62
1.2	5.27	11.58
1.3	5.70	12.55
1.4	6.14	13.52
1.5	6.58	14.48

Above is a guideline only.
Customer should verify with specific product to be packaged.

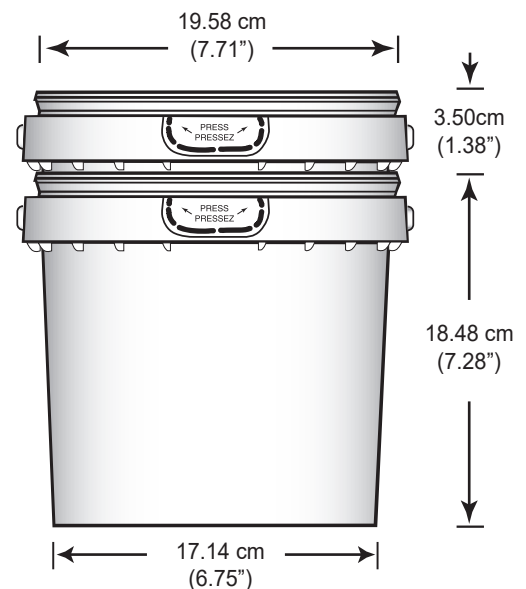
613 SNAP ON LID



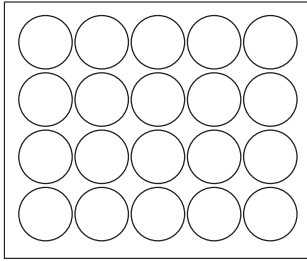
TAMPER EVIDENT 1 U.S. GALLON PAIL



NESTING



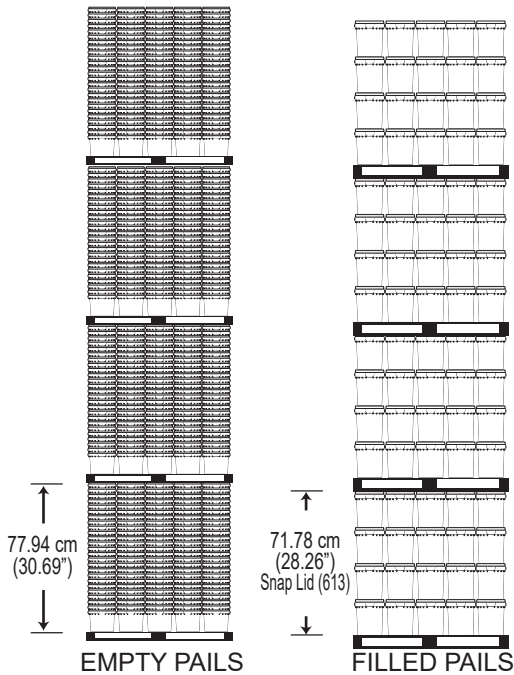
PALLET UTILIZATION



**122 cm x 102 cm
(48" x 40")**

IMPORTANT: Never let pails overlap edge of pallet

RECOMMENDED STACKING HEIGHT



SHIPPING DATA

	713 PAIL	SNAP LID 613	PAIL & LID 713 PKG
Quantity	540/pallet	180/box	50/box
Dimensions*	49.50" x 41.50" x 31.00"	24.50" x 18.00" x 11.00"	25.50" x 17.00" x 20.25"
Volume	36.85 cu. ft.	2.81 cu. ft.	5.08 cu. ft.
Weight**	106.02 kg 233.24 lbs	10.93 kg 24.05 lbs	13.75 kg 30.25 lbs

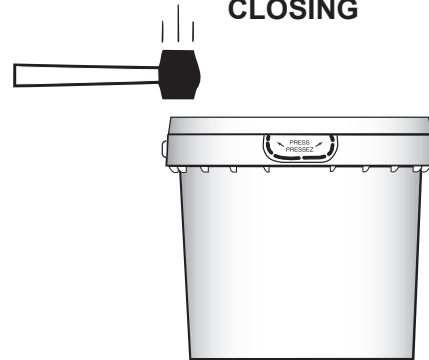
* AND ** DOES NOT INCLUDE WOODEN PALLET

OPENING

Break Tab & Lift Off Lid

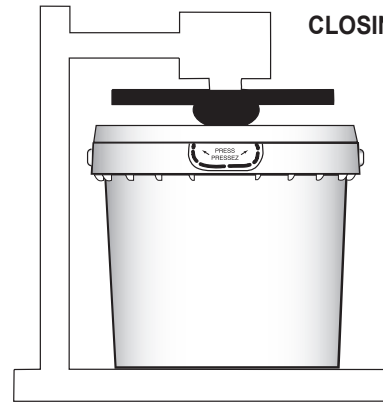


CLOSING



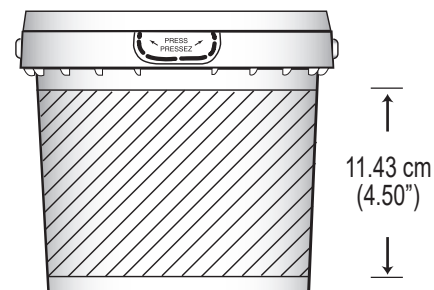
DEAD BLOW HAMMER (depress lid centre to force out excess air)

CLOSING TOOL



PRINTING

DRY OFFSET PRINTING (UP TO MAXIMUM 4 PANTONE COLORS)



APPROVALS

Pro-Western Plastics Ltd. disclaims any liability for the use of the information and data contained herein. We reserve the right to alter or modify any product and/or specification, at any time.