



**704
2.25 Litre
Tamper Evident Pail**

COMPONENTS

- Material: Food approved high density polyethylene
- Standard Color: White (Other colors on request)
- Plastic Handle

WALL THICKNESS

	cm	inch
• Pail	.114	.045
• Snap-On Lid (612)	.117	.046

STANDARD WEIGHT (+/- 2%)

	g	lb.
• Pail (including handle)	120	.26
• Snap-On Lid (612)	31	.07

THERMAL RESISTANCE (Tested with water)

- Filling from 38°C (-36°F) to 82°C (180°F)
- Warehousing from -40°C (-40°F) to 39°C (102°F)

TOP LOADING RESISTANCE

	kg	lb.
• With Snap-On Lid (612)	65	143

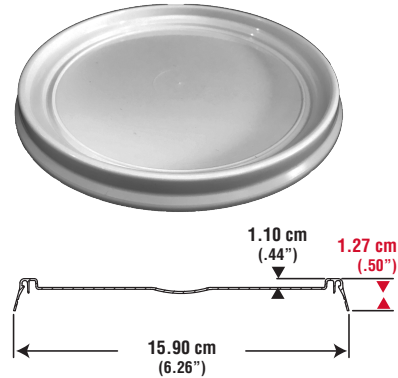
CAPACITIES

VOLUME	Litres	GALLONS	
		Imp.	U.S.
Nominal	2.25	.49	.59
Maximum to Overflow	2.46	.54	.65
Maximum with Snap-On Lid	2.26	.50	.60

PRODUCT DENSITY g/cm ³	Maximum Weight Filled with Lid	
	SNAP-ON	
	kg	lb
0.5	1.20	2.65
0.6	1.44	3.18
0.7	1.69	3.71
0.8	1.93	4.24
0.9	2.17	4.77
1.0	2.41	5.30
1.1	2.65	5.83
1.2	2.89	6.36
1.3	3.13	6.89
1.4	3.37	7.42
1.5	3.61	7.95

Above is a guideline only.
Customer should verify with specific product to be packaged.

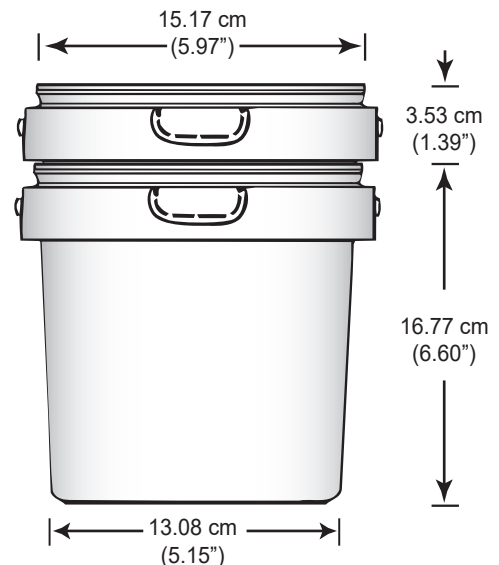
612 SNAP ON LID



TAMPER EVIDENT 1/2 U.S. GALLON PAIL

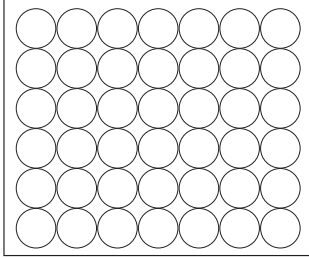


NESTING



**704
2.25 Litre
Tamper Evident Pail**

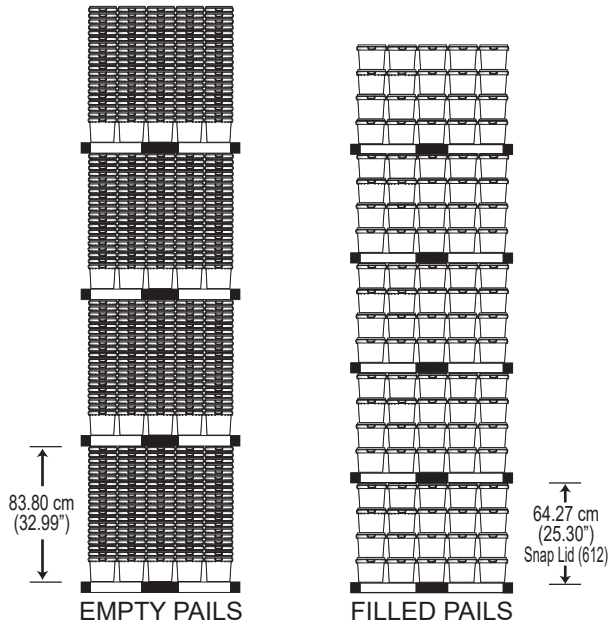
PALLET UTILIZATION



**122 cm x 102 cm
(48" x 40")**

IMPORTANT: Never let pails overlap edge of pallet

RECOMMENDED STACKING HEIGHT



SHIPPING DATA

	PAIL	SNAP LID 612	PAIL & LID 702 PKG
Quantity	840/pallet	407/box	100/box
Dimensions*	46.00" x 39.75" x 33.25"	24.00" x 20.00" x 11.75"	26.00" x 13.25" x 27.50"
Volume	35.18 cu. ft.	3.26 cu. ft.	5.48 cu. ft.
Weight**	102.33 kg 225.60 lbs	13.57 kg 29.92 lbs	16.13 kg 35.56 lbs

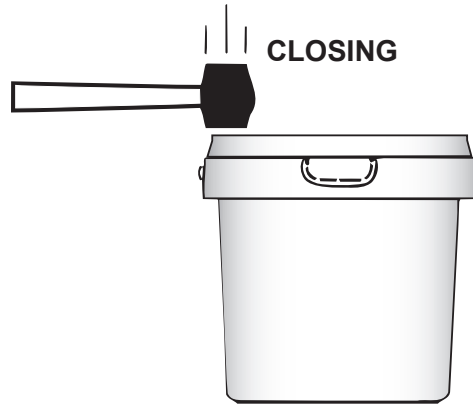
* AND ** DOES NOT INCLUDE WOODEN PALLET

OPENING

Break Tab & Lift Off Lid

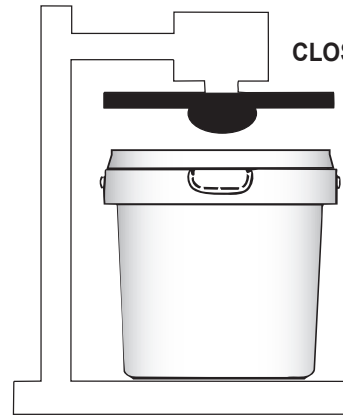


CLOSING



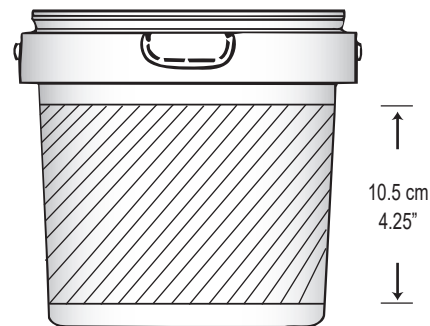
DEAD BLOW HAMMER (depress lid centre to force out excess air)

CLOSING TOOL



PRINTING

DRY OFFSET PRINTING (UP TO MAXIMUM 4 PANTONE COLORS)



APPROVALS

Pro-Western Plastics Ltd. disclaims any liability for the use of the information and data contained herein. We reserve the right to alter or modify any product and/or specification, at any time.