



**COMPONENTS**

- Material: Food approved high density polyethylene
- Standard Color: White (Other colors on request)
- Plastic Handle

**WALL THICKNESS**

	cm	inch
• Pail	.114	.045
• Snap-On Lid (612)	.117	.046

**STANDARD WEIGHT (+/- 2%)**

	g	lb.
• Pail (including handle)	108	.24
• Snap-On Lid (612)	31	.07

**THERMAL RESISTANCE** (Tested with water)

- Filling from 38°C (-36°F) to 82°C (180°F)
- Warehousing from -40°C (-40°F) to 39°C (102°F)

**TOP LOADING RESISTANCE**

	kg	lb.
• With Snap-On Lid (612)	60	132

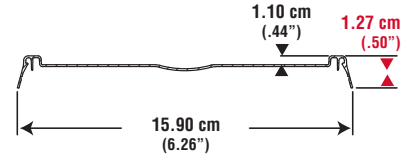
**CAPACITIES**

VOLUME	Litres	GALLONS	
		Imp.	U.S.
Nominal	1.89	.42	.50
Maximum to Overflow	2.12	.47	.56
Maximum with Snap-On Lid	1.92	.42	.51

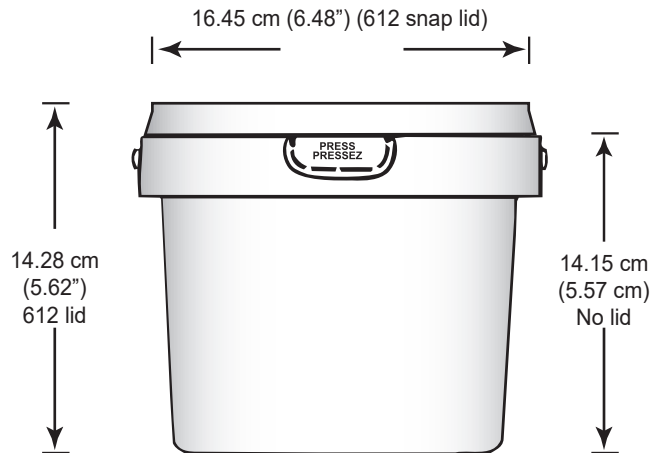
PRODUCT DENSITY g/cm <sup>3</sup>	Maximum Weight Filled with Lid	
	SNAP-ON	
	kg	lb
0.5	1.03	2.26
0.6	1.23	2.71
0.7	1.44	3.17
0.8	1.64	3.62
0.9	1.85	4.07
1.0	2.06	4.52
1.1	2.26	4.98
1.2	2.47	5.43
1.3	2.67	5.88
1.4	2.88	6.33
1.5	3.08	6.78

Above is a guideline only.  
Customer should verify with specific product to be packaged.

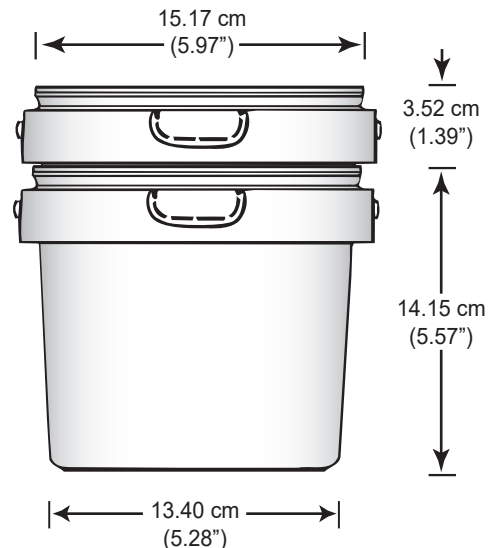
**612 SNAP ON LID**



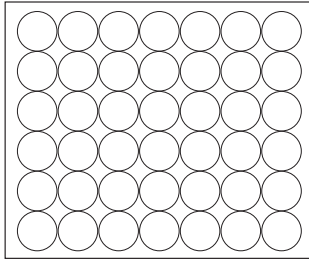
**TAMPER EVIDENT 1/2 U.S. GALLON PAIL**



**NESTING**



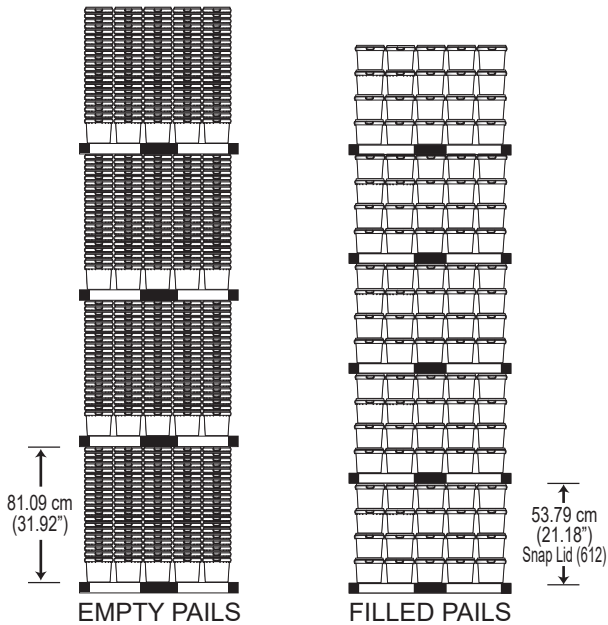
**PALLET UTILIZATION**



**122 cm x 102 cm  
(48" x 40")**

**IMPORTANT: Never let pails overlap edge of pallet**

**RECOMMENDED STACKING HEIGHT**



**SHIPPING DATA**

	<b>PAIL</b>	<b>SNAP LID 612</b>	<b>PAIL &amp; LID 702 PKG</b>
<b>Quantity</b>	840/pallet	407/box	100/box
<b>Dimensions*</b>	46.00" x 39.75" x 32.25"	24.00" x 20.00" x 11.75"	26.00" x 13.25" x 27.50"
<b>Volume</b>	34.13 cu. ft.	3.26 cu. ft.	5.48 cu. ft.
<b>Weight**</b>	92.25 kg 202.95 lbs	13.57 kg 29.92 lbs	14.93 kg 32.85 lbs

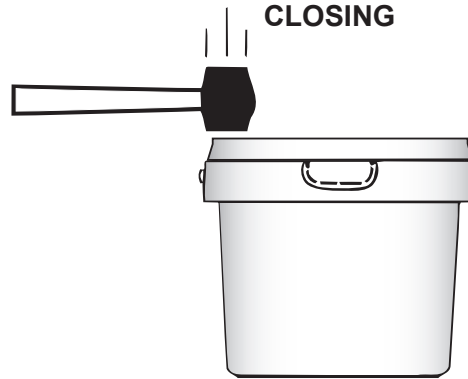
\* AND \*\* DOES NOT INCLUDE WOODEN PALLET

**OPENING**

Break Tab & Lift Off Lid

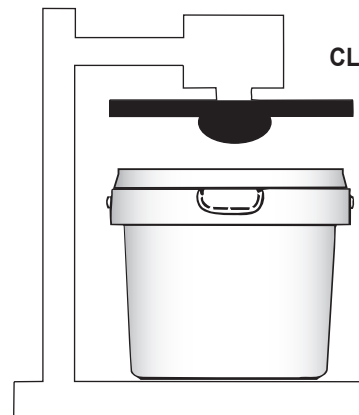


**CLOSING**



**DEAD BLOW HAMMER (depress lid centre to force out excess air)**

**CLOSING TOOL**



**PRINTING**

**DRY OFFSET PRINTING (UP TO MAXIMUM 4 PANTONE COLORS)**



**APPROVALS**

Pro-Western Plastics Ltd. disclaims any liability for the use of the information and data contained herein. We reserve the right to alter or modify any product and/or specification, at any time.